

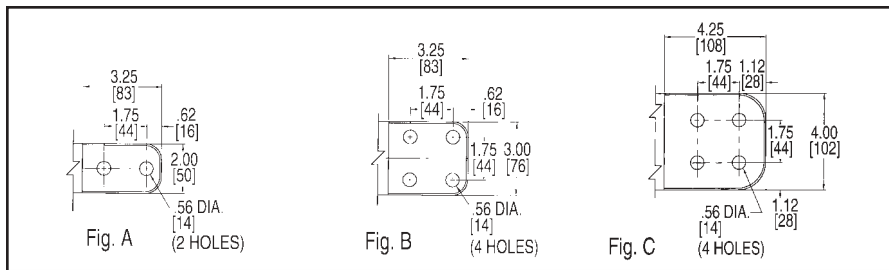
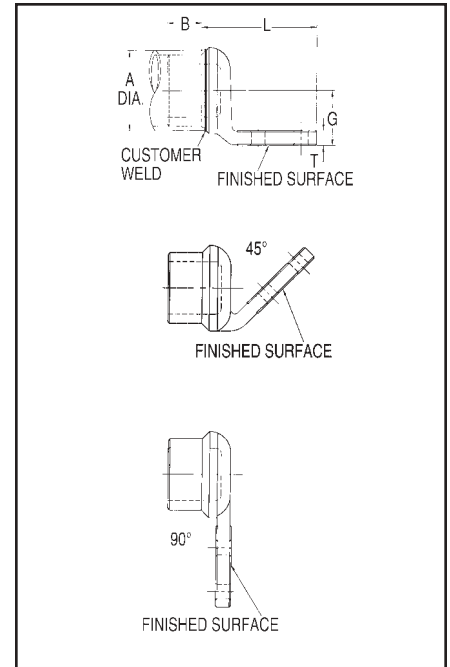
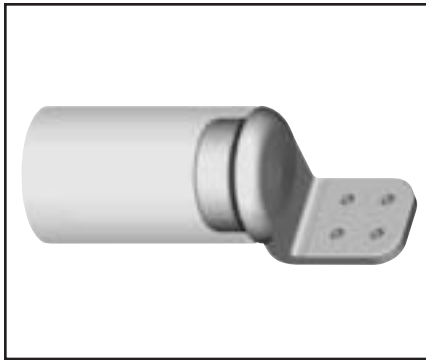
WELDED TERMINAL CONNECTOR

SWA-A-N

Weld type
Application: Bus to Two or Four Hole Pad (offset terminal)

EHV RATED: UP TO 550 kV
when used with
Shielding Caps

Material: Cast 356 Aluminum Alloy



CATALOG NUMBERS		ACCOMMODATES "A" DIA. ALUM. TUBE	FIG.	B	G	L	T
IPS (SCH40)	EHPS (SCH80)						
SWA18A-2N	SWA58A-2N	2" (2.375 DIA.)	A	1.25 [32]	1.72 [44]	5.88 [149]	.50 [13]
SWA18A-34N	SWA58A-34N		B	1.25 [32]	1.72 [44]	5.88 [149]	.50 [13]
SWA18A-44N	SWA58A-44N		C	1.25 [32]	1.72 [44]	6.95 [177]	.50 [13]
SWA19A-2N	SWA59A-2N	2-1/2" (2.875 DIA.)	A	1.50 [38]	1.97 [50]	6.36 [162]	.56 [14]
SWA19A-34N	SWA59A-34N		B	1.50 [38]	1.97 [50]	6.36 [162]	.56 [14]
SWA19A-44N	SWA59A-44N		C	1.50 [38]	1.97 [50]	7.40 [188]	.56 [14]
SWA20A-2N	SWA90A-2N	3" (3.500 DIA.)	A	1.75 [44]	2.34 [59]	6.41 [163]	.62 [16]
SWA20A-34N	SWA90A-34N		B	1.75 [44]	2.34 [59]	6.41 [163]	.62 [16]
SWA20A-44N	SWA90A-44N		C	1.75 [44]	2.34 [59]	7.46 [189]	.62 [16]
SWA21A-34N	SWA91A-34N	3-1/2" (4.000 DIA.)	B	1.75 [44]	2.59 [66]	6.40 [163]	.62 [16]
SWA21A-44N	SWA91A-44N		C	1.75 [44]	2.59 [66]	7.47 [190]	.62 [16]
SWA22A-44N	SWA92A-44N	4" (4.500 DIA.)	C	2.00 [51]	2.84 [72]	7.51 [191]	.75 [19]
SWA23A-44N	SWA93A-44N	4-1/2" (5.000 DIA.)	C	2.00 [51]	3.09 [78]	7.77 [197]	.75 [19]
SWA24A-34N	SWA94A-34N	5" (5.563 DIA.)	B	2.00 [51]	3.38 [86]	6.80 [173]	.75 [19]
SWA24A-44N	SWA94A-44N		C	2.00 [51]	3.38 [86]	7.82 [199]	.75 [19]
SWA86A-44N	SWA96A-44N	6" (6.625 DIA.)	C	2.50 [64]	4.00 [102]	7.90 [201]	1.00 [25]

H-9

- NOTES:**
1. Dimensions in brackets [] are in millimeters.
 2. Conductor smaller than 3 inch bus size not recommended for 550 kV.
 3. DOES NOT INCLUDE SHIELDING CAPS. For EHV applications, shielding caps are required. Order separately

- (type STS) shown on page 32 or ADD SUFFIX "STS" to catalog number (example: SWA22A44NSTS), includes one shielding cap.
4. One surface of pad finished. For finished pad on both sides add SUFFIX "Q" to the catalog number (example: SWA22A-44NQ).

5. For 45 or 90 degree angle add SUFFIX "45" or "90" to catalog number (example: SWA22A44N90).
6. For six hole NEMA pad contact factory.